

ACCESSORIES FOR SAFETY DEVICES



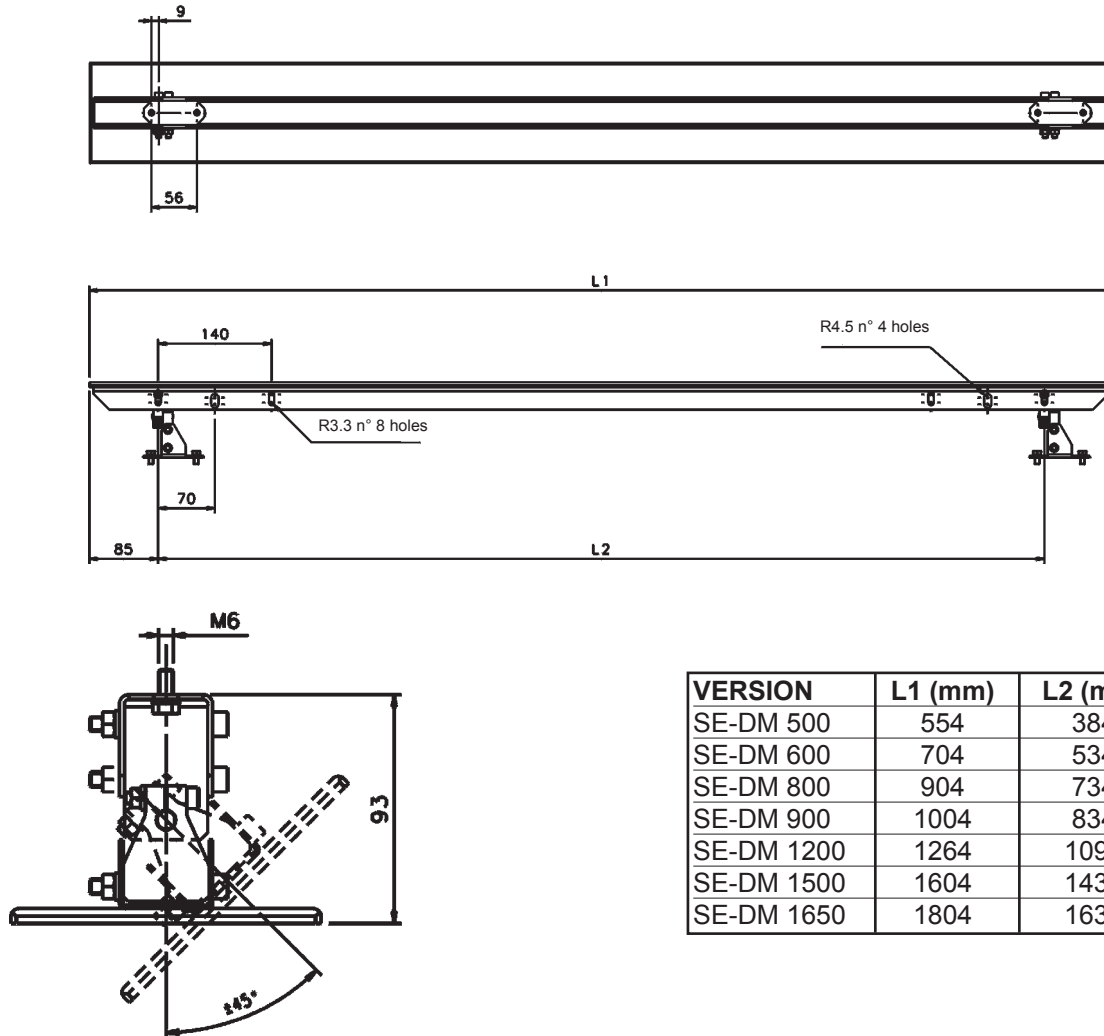
- Complete range of accessories for **SAFEasy™** safety light curtains
- Deviating mirrors, supports, protective stands and laser pointer
- Fixing brackets and supports, muting signalling lamps
- Connection with safety relays

SAFEasy™ ACCESSORIES

The accessory range for the **SAFEasy™ SE** and **SF2** safety light curtain series includes a complete offer of complementary parts for the installation and use of safety devices in plants and machinery. The deviating mirrors of the **SE-DM** series, useful to protect different sides of a machine, are available in different heights ranging from 150 mm to 1800 mm. The column and floor stands of safety light curtains and deviating mirrors of the **SE-S** series are available with heights ranging from 800 mm to 1800 mm. The protective stands of the **SE-P** series, ideal to guarantee device protection against shocks, also available in different heights ranging from 273 mm to 1743 mm. The laser pointer of the **SE-LP** series represents a valid support for the alignment and installation of the **SE** safety light curtain series, in particular for applications with long operating distances and / or using deviating mirrors. The **SE-SR2** safety relay guarantees the correct connection of the **SAFEasy™** safety light curtain series to machine stopping circuits. The shielded cables of the **CV** series are available both in the standard axial version as well as in the 90° version; the latter particularly useful in applications that have reduced space. The fixing brackets, orientable, anti-vibration and anti-scratch supports of the **ST-K** series, muting signalling lamps of the **LMS** series and the **TP** test pieces complete the offer.

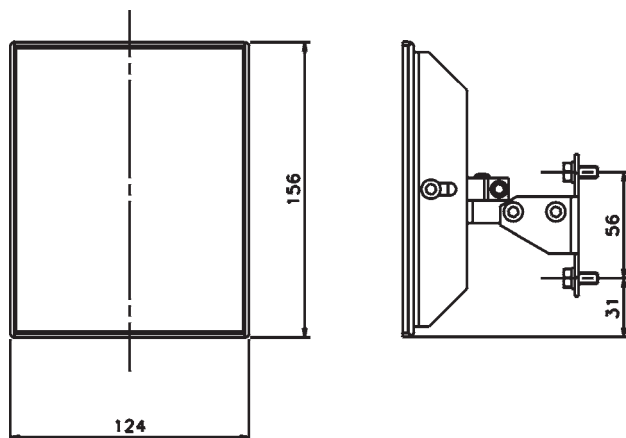
DEVIATING MIRRORS - SE-DM series

SE-DM 500 ... 1650



VERSION	L1 (mm)	L2 (mm)
SE-DM 500	554	384
SE-DM 600	704	534
SE-DM 800	904	734
SE-DM 900	1004	834
SE-DM 1200	1264	1094
SE-DM 1500	1604	1434
SE-DM 1650	1804	1634

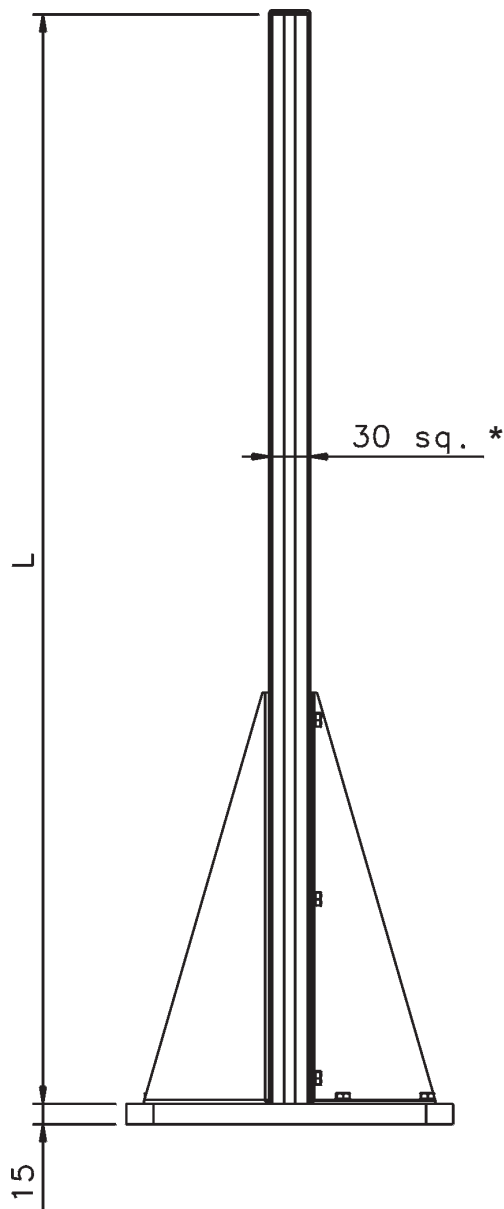
SE-DM 150



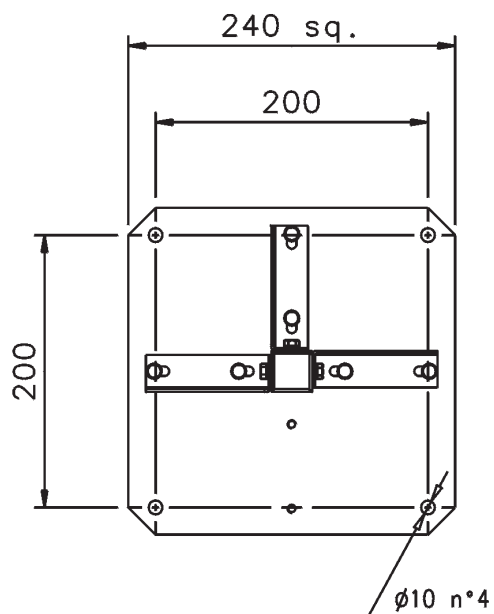
The deviating mirrors of the **SE-DM** series, as well as being suitable for the **SAFEasy™** - SE safety light curtain series, can be used also with the SF2 safety light curtain series and safety light beam of the Sx-ST2/ST4 series.

mm

COLUMN AND FLOOR STANDS - SE-S series



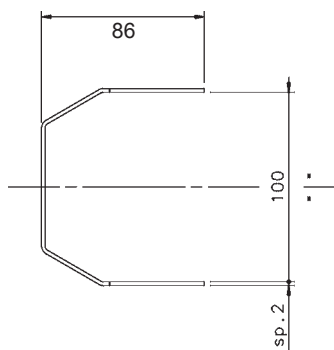
VERSION	L (mm)
SE-S 800	800
SE-S 1000	1000
SE-S 1200	1200
SE-S 1500	1500
SE-S 1800	1800



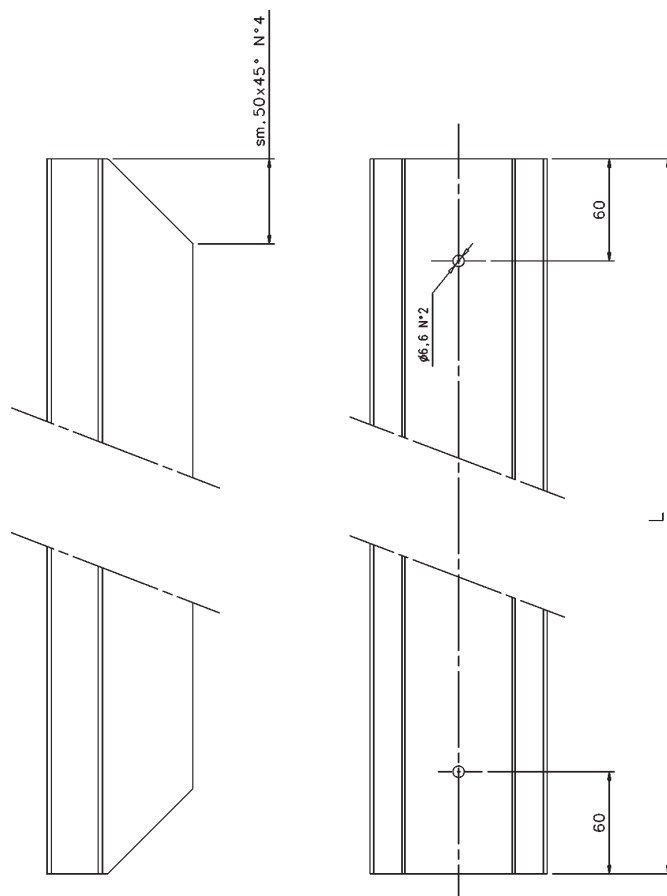
* 30 x 30 mm profile dimensions for 800, 1000 and 1200 mm
45 x 45 mm profile dimensions for 1500 and 1800 mm

The column and floor stands of the **SE-S** series, as well as being suitable for the **SAFEasy™** - SE safety light curtain series, can be used also with the SF2 safety light curtain series and deviating mirrors of the SE-DM series.

PROTECTIVE STANDS - SE-P series

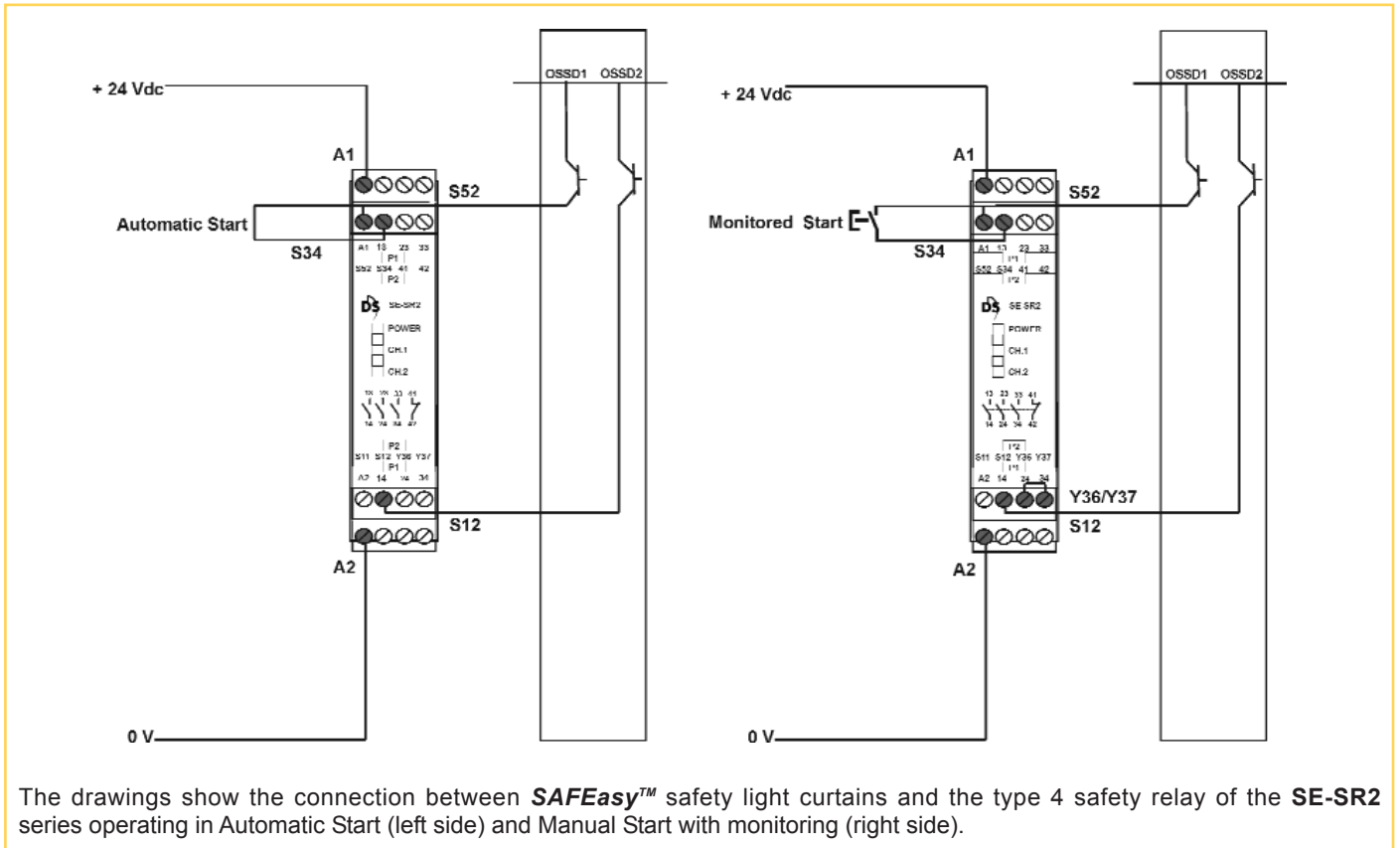


VERSION	L (mm)
SE-P 150	273
SE-P 300	420
SE-P 450	567
SE-P 600	714
SE-P 750	861
SE-P 800	969
SE-P 900	1069
SE-P 1050	1155
SE-P 1200	1369
SE-P 1350	1449
SE-P 1500	1596
SE-P 1650	1743

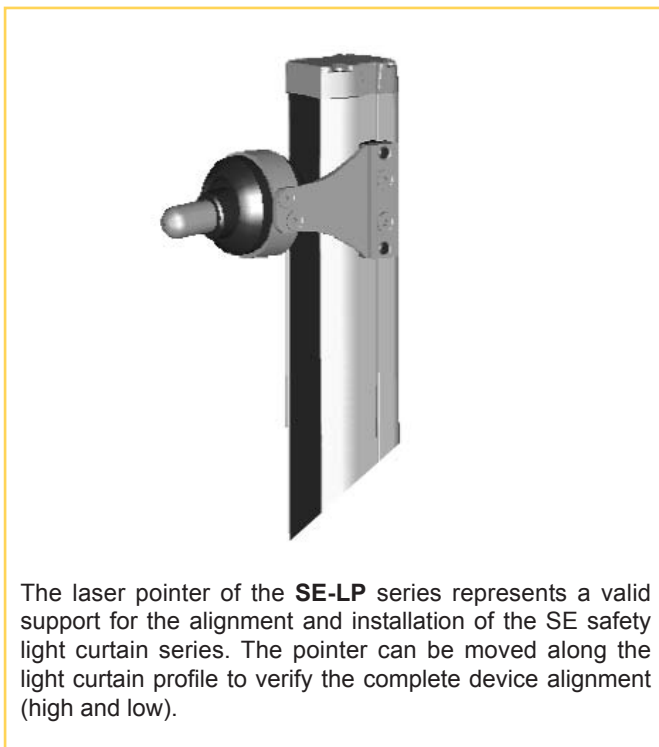


The protective stands of the **SE-P** series, as well as being suitable for the **SAFEasy™** - SE safety light curtain series, can be used also with the SF2 safety light curtains.

SAFETY RELAYS - SE-SR2 series



LASER POINTER - SE-LP series



TEST PIECES - TP series



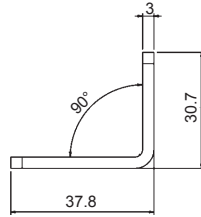
FIXING BRACKETS - ST-K series

The **ST-KSTD** model represents the spare part kit composed of 4 standard fixing brackets for SE safety light curtains.

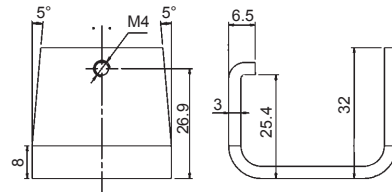
The **ST-K*OR** supports allow the orientation of the SE safety light curtains of $\pm 5^\circ$.

The **ST-K*AV** supports allow the absorption of the vibrations caused by the machinery where the SE and SF2 safety light curtains are installed.

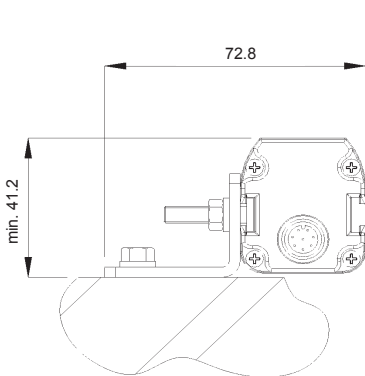
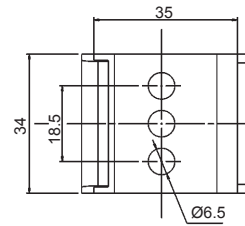
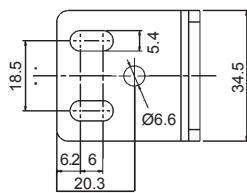
The **ST-KSF2** model represents the anti-scratch brackets (kit composed of 4 brackets) for SF2 safety light curtains.



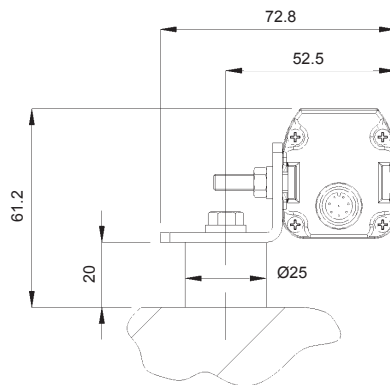
SE series: standard fixing bracket.



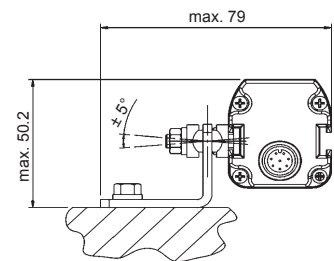
SF2 series: standard fixing bracket.



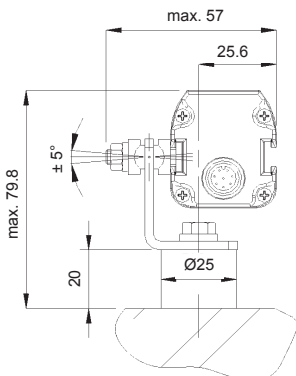
SE series: application with standard fixing bracket.



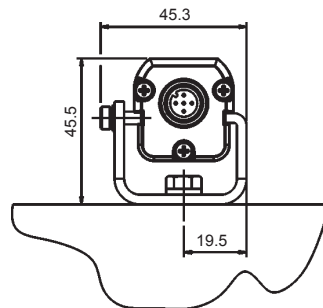
*SE series: application with standard fixing bracket and ST-K*AV anti-vibration support.*



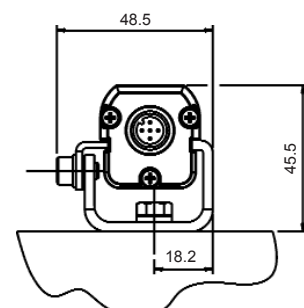
*SE series: application with standard fixing bracket and ST-K*OR orientable support.*



*SE series: application with standard fixing bracket, ST-K*AV anti-vibration support and ST-K*OR orientable support.*

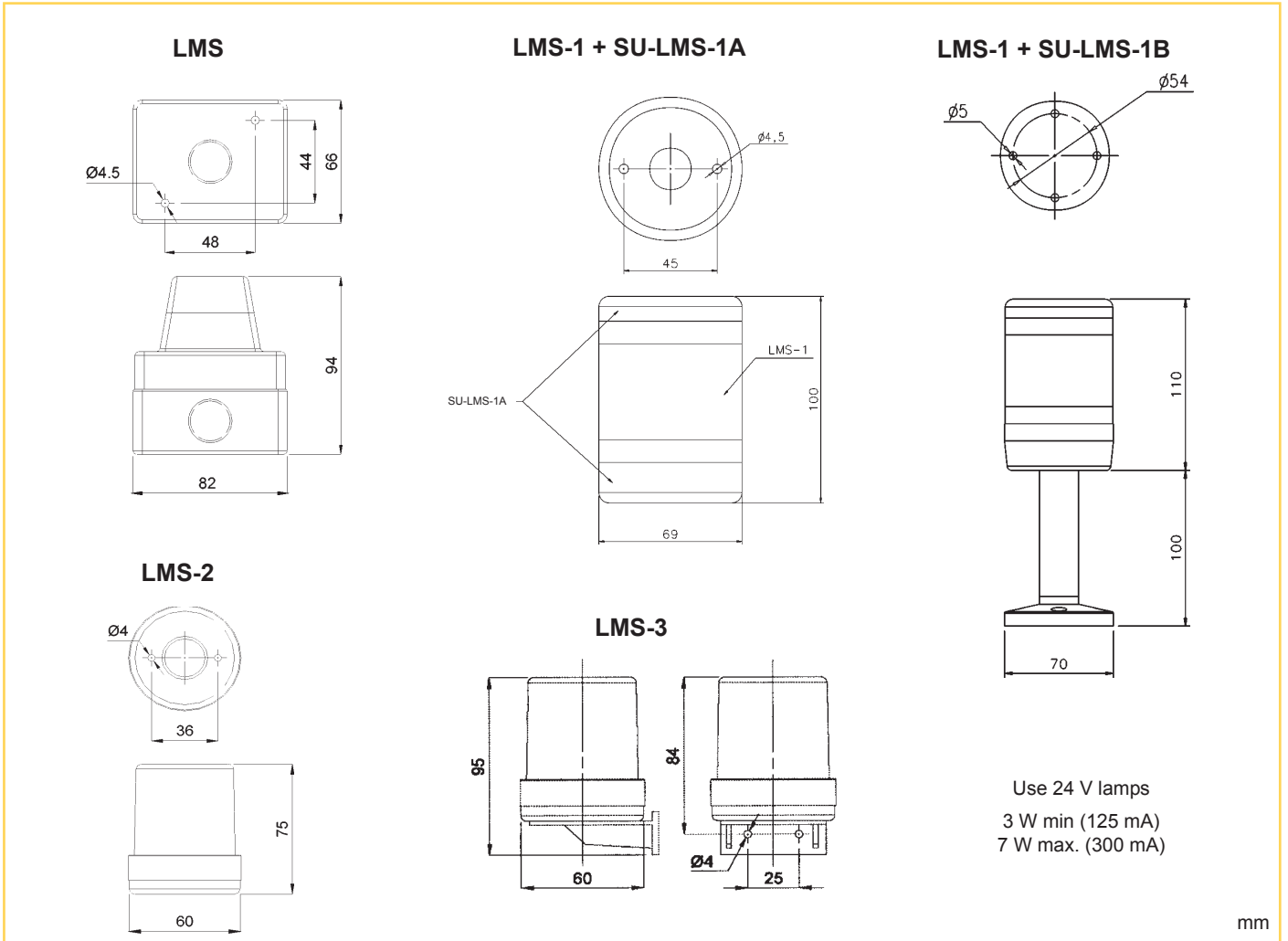


*SF2 series: application with standard fixing bracket. The standard fixing bracket is compatible with the SE standard bracket, ST-K*AV anti-vibration support and ST-K*OR orientable support.*

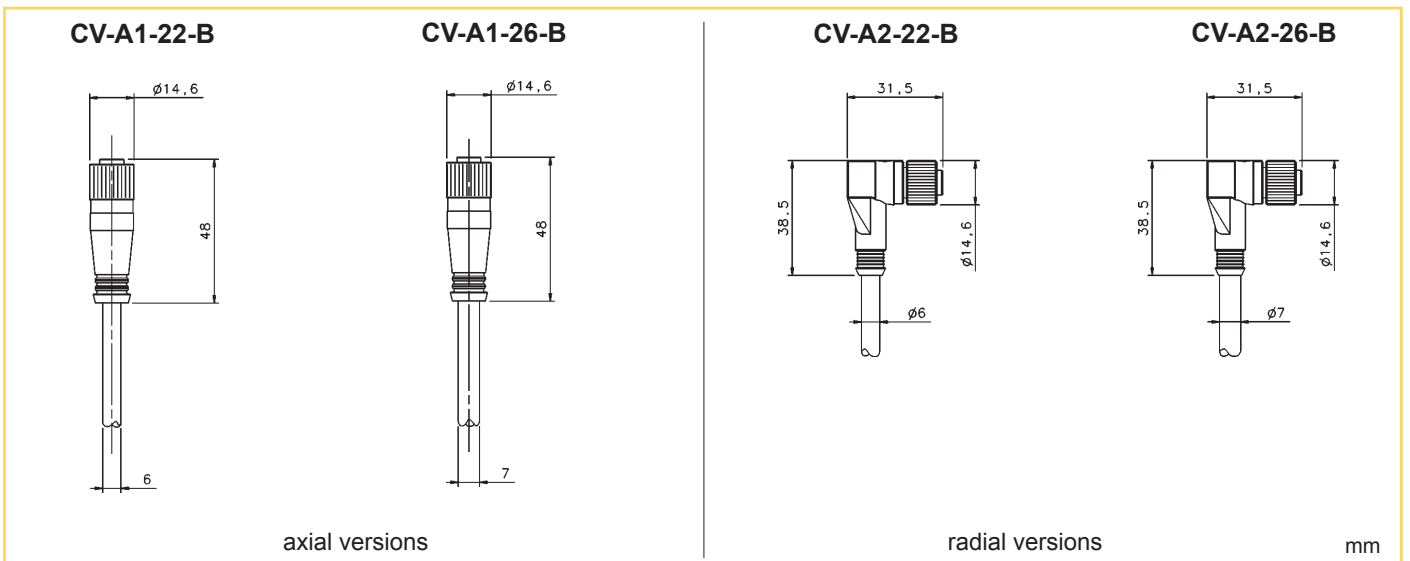


SF2 series: application with anti-scratch bracket.

MUTING SIGNALLING DEVICES - LMS series



SHIELDED CABLES - CV series



MODELS

MODEL	DESCRIPTION	CODE N°
CV-A1-22-B-03	axial shielded 4-pin 3 m cable	95ACC1480
CV-A1-22-B-05	axial shielded 4-pin 5 m cable	95ACC1490
CV-A1-22-B-10	axial shielded 4-pin 10 m cable	95ACC1500
CV-A1-22-B-15	axial shielded 4-pin 15 m cable	95ACC2070
CV-A1-22-B-25	axial shielded 4-pin 25 m cable	95ACC2090
CV-A1-26-B-03	axial shielded 8-pin 3 m cable	95ACC1510
CV-A1-26-B-05	axial shielded 8-pin 5 m cable	95ACC1520
CV-A1-26-B-10	axial shielded 8-pin 10 m cable	95ACC1530
CV-A1-26-B-15	axial shielded 8-pin 15 m cable	95ACC2080
CV-A1-26-B-25	axial shielded 8-pin 25 m cable	95ACC2100
CV-A2-22-B-03	radial shielded 4-pin 3 m cable	95ACC1540
CV-A2-22-B-05	radial shielded 4-pin 5 m cable	95ACC1550
CV-A2-22-B-10	radial shielded 4-pin 10 m cable	95ACC1560
CV-A2-26-B-03	radial shielded 8-pin 3 m cable	95ACC1600
CV-A2-26-B-05	radial shielded 8-pin 5 m cable	95ACC1610
CV-A2-26-B-10	radial shielded 8-pin 10 m cable	95ACC1620
LMS	muting lamp	M2059004
LMS-1	modular muting lamp	95ACC1990
LMS-2	muting lamp - horizontal mounting	95ACC2000
LMS-3	muting lamp - vertical mounting	95ACC2010
SE-DM 150	deviating mirror H=150 mm	95ACC1900
SE-DM 500	deviating mirror H=550 mm	95ACC1910
SE-DM 600	deviating mirror H=700 mm	95ACC1920
SE-DM 800	deviating mirror H=900 mm	95ACC1930
SE-DM 900	deviating mirror H=1000 mm	95ACC1940
SE-DM 1200	deviating mirror H=1270 mm	95ACC1950
SE-DM 1500	deviating mirror H=1600 mm	95ACC1960
SE-DM 1650	deviating mirror H=1800 mm	95ACC1970
SE-LP	laser pointer	95ACC1980
SE-P 150	protective stand H=273 mm	95ACC1780
SE-P 300	protective stand H=420 mm	95ACC1790
SE-P 450	protective stand H=567 mm	95ACC1800
SE-P 600	protective stand H=714 mm	95ACC1810
SE-P 750	protective stand H=861 mm	95ACC1820
SE-P 800	protective stand H=969 mm	95ACC1830
SE-P 900	protective stand H=1069 mm	95ACC1840
SE-P 1050	protective stand H=1155 mm	95ACC1850
SE-P 1200	protective stand H=1302 mm	95ACC1860
SE-P 1350	protective stand H=1449 mm	95ACC1870
SE-P 1500	protective stand H=1596 mm	95ACC1880
SE-P 1650	protective stand H=1743 mm	95ACC1890
SE-S 800	column and floor stand H=800 mm	95ACC1730
SE-S 1000	column and floor stand H=1000 mm	95ACC1740
SE-S 1200	column and floor stand H=1200 mm	95ACC1750
SE-S 1500	column and floor stand H=1500 mm	95ACC1760
SE-S 1800	ground support H=1800 mm	95ACC1770
SE-SR2	type 4 safety relay - 3 NO 1NC	95ACC6170
ST-KSF2	anti-scratch fixing bracket (4 pcs)	95ACC2320
ST-KSTD	mounting brackets - 4 pcs kit	95ACC1670
ST-K4AV	anti-vibration supports - 4 pcs kit	95ACC1700
ST-K6AV	anti-vibration supports - 6 pcs kit	95ACC1710
ST-K4OR	orientable supports - 4 pcs kit	95ACC1680
ST-K6OR	orientable supports - 6 pcs kit	95ACC1690
SU-LMS-1A	basic module for LMS-1	95ACC2020
SU-LMS-1B	tower module for LMS-1	95ACC2030
TP-14	test piece Ø 14 mm	95ACC1630
TP-20	test piece Ø 20 mm	95ACC1640
TP-30	test piece Ø 30 mm	95ACC1650
TP-35	test piece Ø 35 mm	95ACC1660

Distributed by:

HEADQUARTERS

DATASENSOR SpA

via Lavino, 265 - 40050 Monte San Pietro, BO - Italy
Tel. +39 051/6765611 • Fax +39 051/6759324

www.datasensor.com • e-mail info@datasensor.com

Datasensor SpA endeavours to continuously improve and renew its products; for this reason the technical data and contents of this catalogue may undergo variations without prior notice. For correct installation and use Datasensor SpA can guarantee only the data indicated in the instruction manual supplied with the products.